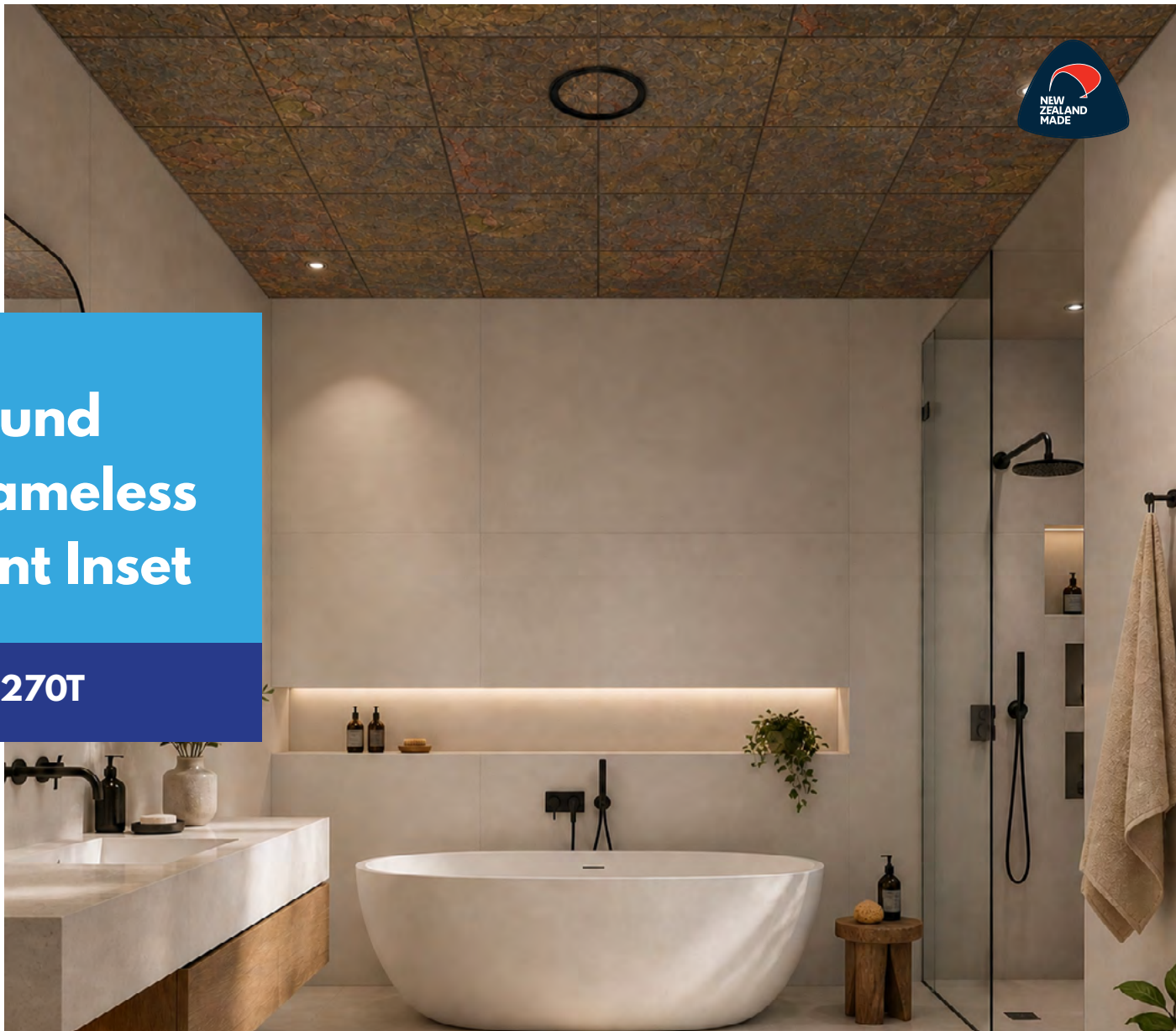




Round Frameless Vent Inset

VRG270T



OUR Vent

A minimalist Vent with a plastered in frame shows only a negative detail circle. A stunning alternative to our range of square Vents Framework and fixings are not visible. If required, the exposed surfaces can be re-coloured by painting at the same time as the ceiling.

DIMENSIONS

Frame : 270mm ID
 Plaque size: 220mm OD
 Top spigot: 150mm dia



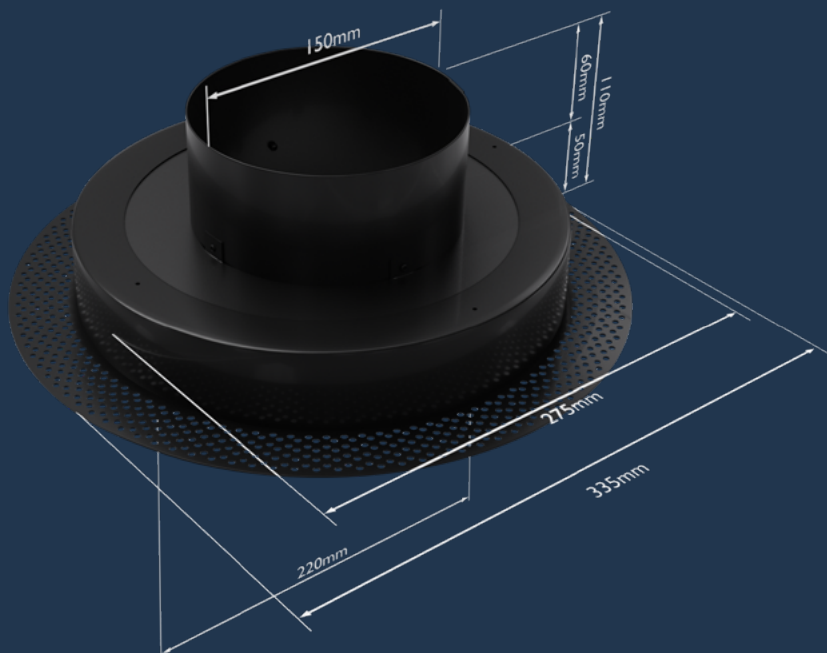
**For bathrooms,
showers, laundries
& kitchens**



VRG270T

SPECIFICATIONS

- VRG270 Round Frameless Vent with 150mm spigot top entry.
- The frame and plaque are made from zinc plated and powder coated steel.
- Suitable fans, ductwork and exterior Vents are also available.
- At a typical flow rate of 60-70 litres per second, pressure drop is 26 pa.
- Ceiling battens not required.



Round Frameless Vent

- ceiling or side wall mounted
- ideal for bathrooms, showers, laundries and kitchens
- plaster board or tiled ceilings

Professional customer service and outstanding company. Would highly recommend Ventech to anyone wanting a high-quality product.

Anna Lewis



GET IN TOUCH

Ventilation Technology Limited
Christchurch, New Zealand

[\(027\) 279 6399](tel:0272796399)
enquiries@ventech.co.nz
www.ventech.co.nz

